

### GENERAL CHARACTERISTICS

Nominal Overall Diameter .....	306	mm
Nominal Voice Coil Diameter .....	32	mm
Magnet Weight .....	300	g
Flux Density.....	1.04	T

### THIELE-SMALL PARAMETERS

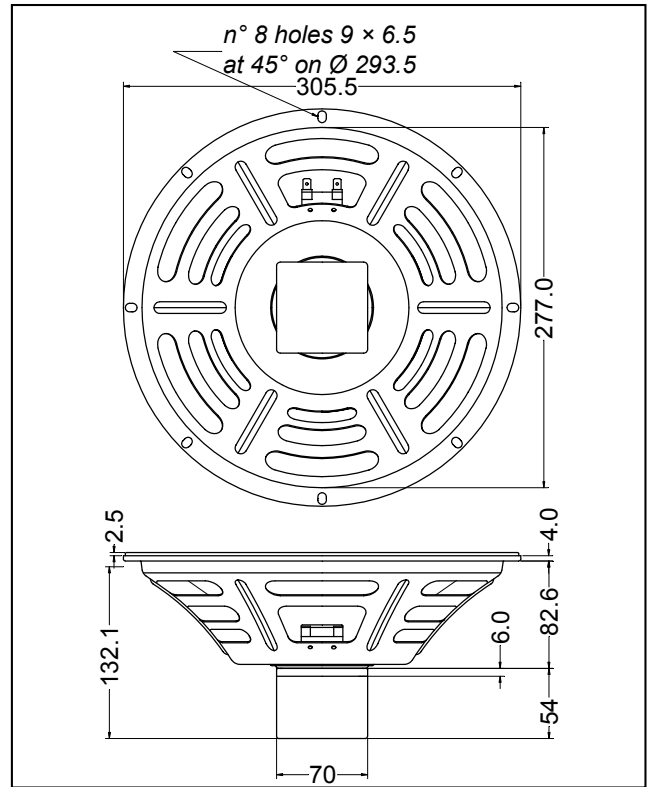
Voice Coil DC Resistance .....	$R_E$	5.60	Ω
Resonance Frequency .....	$f_s$	84.0	Hz
Mechanical Q Factor.....	$Q_{MS}$	13.50	
Electrical Q Factor.....	$Q_{ES}$	1.60	
Total Q Factor .....	$Q_{TS}$	1.41	
Mechanical Moving Mass .....	$M_{MS}$	24.6	g
Mechanical Compliance .....	$C_{MS}$	147	μm/N
Force Factor .....	$B \times l$	6.77	Wb/m
Equivalent Acoustic Volume.....	$V_{AS}$	49.7	lt.
Maximum Linear Displacement ....	$X_{MAX}$	1.0	mm
Reference Efficiency .....	$\eta_0$	1.78	%
Diaphragm Area .....	$S_D$	491.0	cm <sup>2</sup>
Losses Electrical Resistance.....	$R_{ES}$	47.9	Ω
Voice Coil Inductance @ 1kHz .....	$L_E$	0.58	mH

### CONSTRUCTIVE CHARACTERISTICS

Magnet.....	AlNiCo
Voice Coil Winding.....	Copper
Voice Coil Former.....	Nomex
Cone .....	Paper
Surround.....	Integrated Paper
Dust Dome .....	Solid Paper
Basket .....	Pressed Sheet Steel

### ELECTRICAL CHARACTERISTICS

Nominal Impedance.....	8	Ω
Rated Power (DIN 45573 - IEC 268.5) .....	40	W
Musical Power (DIN 45500) .....	80	W
Sensitivity @ 1 W, 1 m .....	96.1	dB



Frequency Response on IEC Baffle (DIN 45575) @ 1 W, 1 m -

