

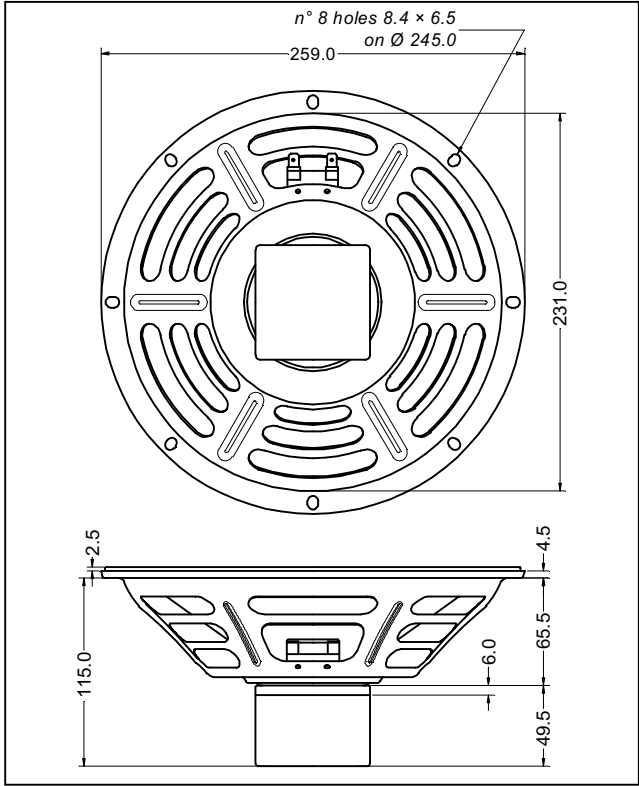
P 10 R - 8 Ω Guitar Loudspeaker

GENERAL CHARACTERISTICS		
Nominal Diameter	259	mm
Nominal Voice Coil Diameter	25	mm
Magnet Weight	200	g
Flux Density	0.96	T

THIELE-SMALL PARAMETERS		
Voice Coil DC Resistance	R_E	6.70 Ω
Resonance Frequency	f_s	97.0 Hz
Mechanical Q Factor	Q_{MS}	23.55
Electrical Q Factor	Q_{ES}	1.60
Total Q Factor	Q_{TS}	1.50
Mechanical Moving Mass	M_{MS}	13.1 g
Mechanical Compliance	C_{MS}	207.0 μm/N
Force Factor	$B \times l$	5.86 Wb/m
Equivalent Acoustic Volume	V_{AS}	31.6 lt.
Maximum Linear Displacement ...	X_{MAX}	0.8 mm
Reference Efficiency	η_0	1.7 %
Diaphragm Area	S_D	330.0 cm ²
Losses Electrical Resistance	R_{ES}	102.0 Ω
Voice Coil Inductance	L_E	0.54 mH

CONSTRUCTIVE CHARACTERISTICS	
Magnet	AlNiCo
Voice Coil Wire	Copper
Voice Coil Former	Kapton
Cone	Paper
Surround	Treated Cloth
Dust Dome	Felt
Basket	Pressed Sheet Steel

ELECTRICAL CHARACTERISTICS	
Nominal Impedance	8 Ω
Rated Power (DIN 45573 - IEC 268.5)	25 W
Musical Power (DIN 45500)	50 W
Sensitivity @ 1 W, 1 m	95.0 dB



Frequency Response on IEC Baffle (DIN 45575) @ 1 W, 1 m - Impedance

