

JENSEN

music industries

NEO 15/300 - 8 Ω Bass Guitar Loudspeaker

Ref.# 2398

GENERAL CHARACTERISTICS

Nominal Overall Diameter	385	mm
Nominal Voice Coil Diameter	75	mm
Magnet Weight	360	g
Flux Density	1.20	T
Total Weight.....	4.00	Kg

THIELE-SMALL PARAMETERS

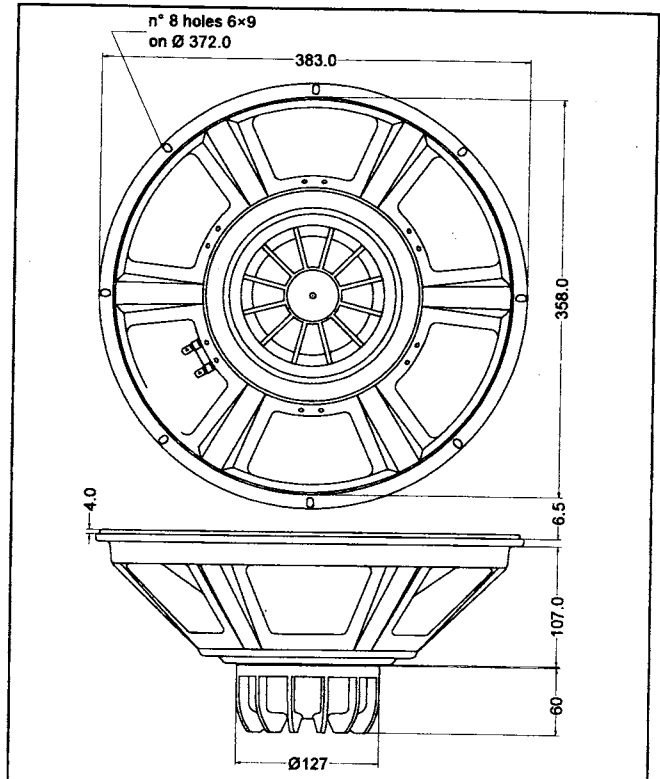
Voice Coil DC Resistance.....	R_E	6.57	Ω
Resonance Frequency	f_s	42.8	Hz
Mechanical Q Factor.....	Q_{MS}	11.43	
Electrical Q Factor.....	Q_{ES}	0.35	
Total Q Factor.....	Q_{TS}	0.34	
Mechanical Moving Mass	M_{MS}	57.2	g
Mechanical Compliance	C_{MS}	243	μm/N
Force Factor	$B \times l$	17.07	Wb/m
Equivalent Acoustic Volume.....	V_{AS}	194.3	lt.
Maximum Linear Displacement ...	X_{MAX}	2.5	mm
Reference Efficiency	η_0	4.22	%
Diaphragm Area	S_D	754.7	cm ²
Losses Electrical Resistance	R_{ES}	216.8	Ω
Voice Coil Inductance @ 1kHz.....	L_E	1.22	mH

CONSTRUCTIVE CHARACTERISTICS

Magnet	Neodymium
Voice Coil Winding.....	Copper
Voice Coil Former.....	Kapton
Cone	Paper
Surround	Treated Cloth
Dust Dome	Solid Paper
Basket	Pressed Sheet Steel

ELECTRICAL CHARACTERISTICS

Nominal Impedance	8	Ω
Rated Power (DIN 45573 - IEC 268.5).....	300	W
Musical Power (DIN 45500).....	600	W
Sensitivity @ 1 W, 1 m.....	99.1	dB



Frequency Response on IEC Baffle (DIN 45575) @ 1 W, 1 m - Impedance

