

GENERAL CHARACTERISTICS

Nominal Overall Diameter	385	mm
Nominal Voice Coil Diameter	50	mm
Magnet Weight	1450	g
Flux Density	1.16	T

THIELE-SMALL PARAMETERS

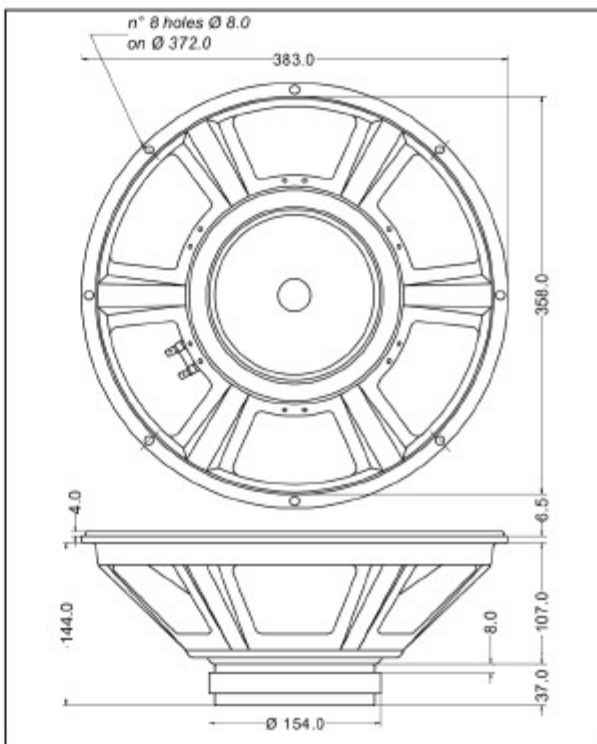
Voice Coil DC Resistance	R_E	6.50	Ω
Resonance Frequency.....	f_s	41.0	Hz
Mechanical Q Factor	Q_{MS}	18.62	
Electrical Q Factor	Q_{ES}	0.48	
Total Q Factor.....	Q_{TS}	0.47	
Mechanical Moving Mass	M_{MS}	54.9	g
Mechanical Compliance	C_{MS}	271.0	μm/N
Force Factor.....	$B \times l$	13.90	Wb/m
Equivalent Acoustic Volume	V_{AS}	217.1	lt.
Maximum Linear Displacement...	X_{MAX}	2.00	mm
Reference Efficiency.....	η_0	3.04	%
Diaphragm Area.....	S_D	754.7	cm ²
Losses Electrical Resistance.....	R_{ES}	253.0	Ω
Voice Coil Inductance @ 1kHz	L_E	1.07	mH

CONSTRUCTIVE CHARACTERISTICS

Magnet	Ferrite
Voice Coil Winding	Copper
Voice Coil Former	Kapton
Cone	Paper
Surround	Treated Cloth
Dust Dome	Solid Paper
Basket	Pressed Sheet Steel

ELECTRICAL CHARACTERISTICS

Nominal Impedance.....	8	Ω
Rated Power (DIN 45573 - IEC 268.5).....	200	W
Musical Power (DIN 45500).....	400	W
Sensitivity @ 1 W, 1 m.....	97.7	dB



Frequency Response on IEC Baffle (DIN 45575) @ 1 W, 1 m - Impedance

