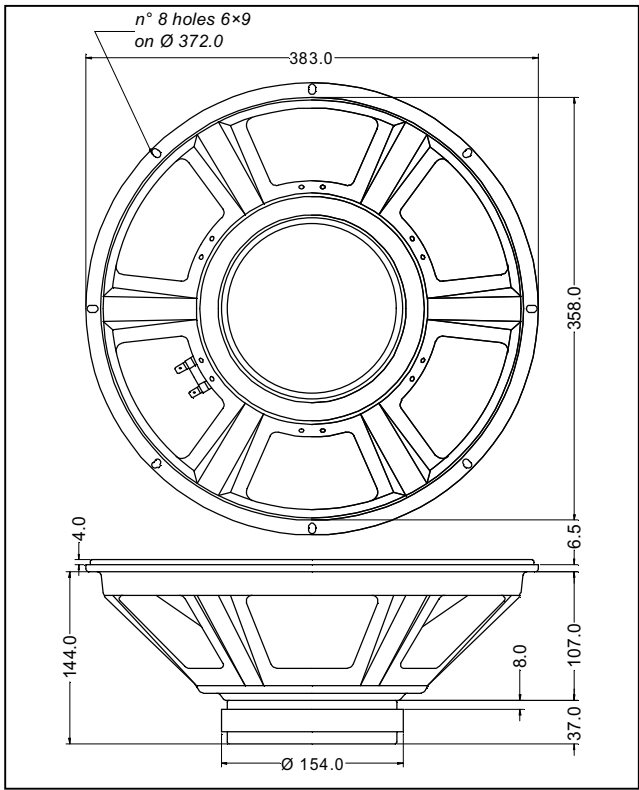


C 15 K - 8 Ω Guitar Loudspeaker

GENERAL CHARACTERISTICS		
Nominal Overall Diameter	385	mm
Nominal Voice Coil Diameter	50	mm
Magnet Weight	1450	g
Flux Density	1.15	T

ELECTRICAL CHARACTERISTICS		
Nominal Impedance.....	8	Ω
Rated Power (DIN 45573 - IEC 268.5).....	100	W
Musical Power (DIN 45500).....	200	W
Sensitivity @ 1 W, 1 m.....	98.0	dB

THIELE-SMALL PARAMETERS		
Voice Coil DC Resistance	R_E	6.70 Ω
Resonance Frequency.....	f_s	73.0 Hz
Mechanical Q Factor	Q_{MS}	14.39
Electrical Q Factor	Q_{ES}	0.91
Total Q Factor.....	Q_{TS}	0.86
Mechanical Moving Mass	M_{MS}	43.3 g
Mechanical Compliance	C_{MS}	110.0 μm/N
Force Factor.....	$B \times l$	12.48 Wb/m
Equivalent Acoustic Volume	V_{AS}	87.6 lt.
Maximum Linear Displacement ...	X_{MAX}	1.00 mm
Reference Efficiency.....	η_0	3.60 %
Diaphragm Area.....	S_D	754.7 cm ²
Losses Electrical Resistance.....	R_{ES}	110.0 Ω
Voice Coil Inductance @ 1kHz	L_E	0.96 mH



CONSTRUCTIVE CHARACTERISTICS	
Magnet	Ferrite
Voice Coil Winding	Copper
Voice Coil Former	Kapton
Cone	Paper
Surround	Integrated Paper
Dust Dome	Non Treated Cloth
Basket	Pressed Sheet Steel

Frequency Response on IEC Baffle (DIN 45575) @ 1 W, 1 m - Impedance

